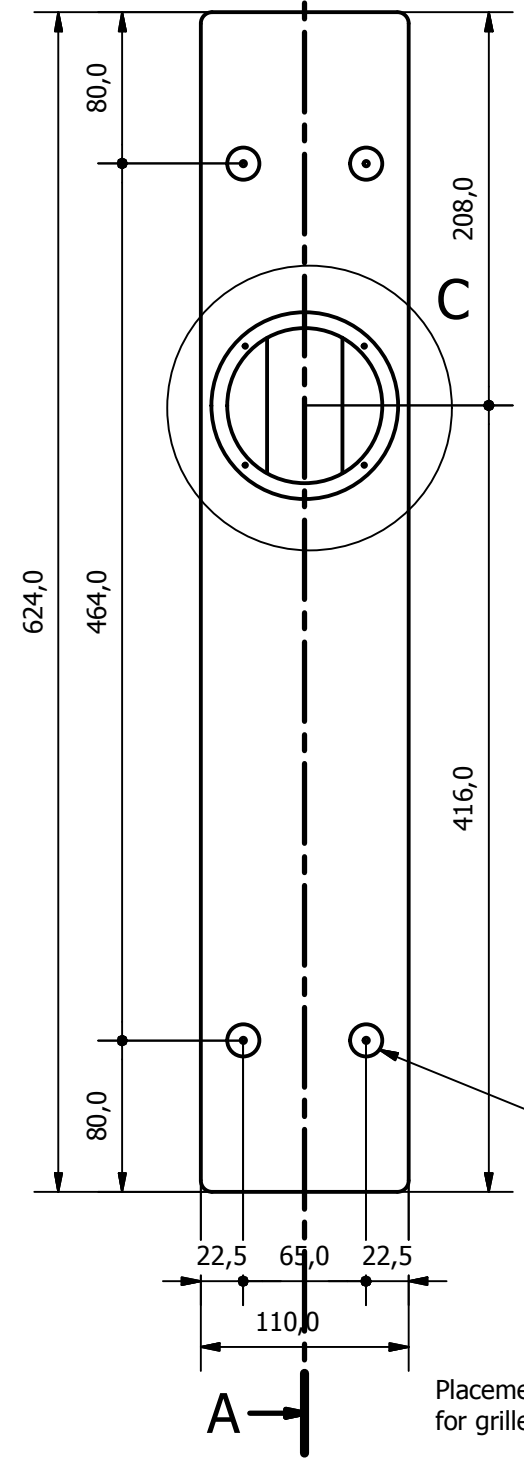


D
C
B
A

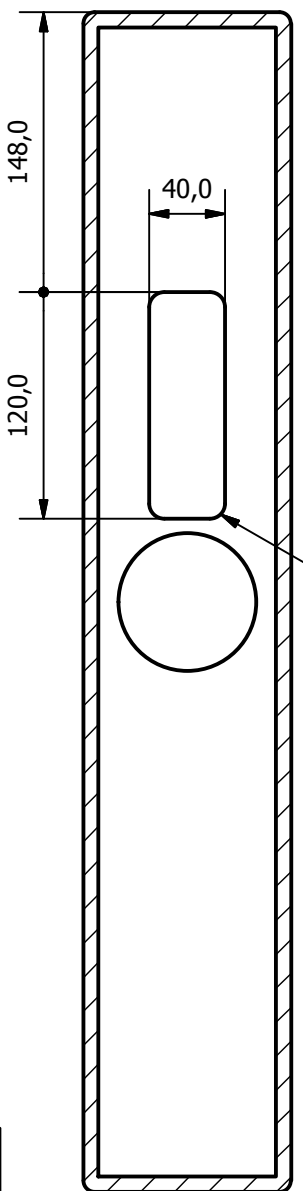
D
C
B
A

D-D (1:4) A-A (1:4)

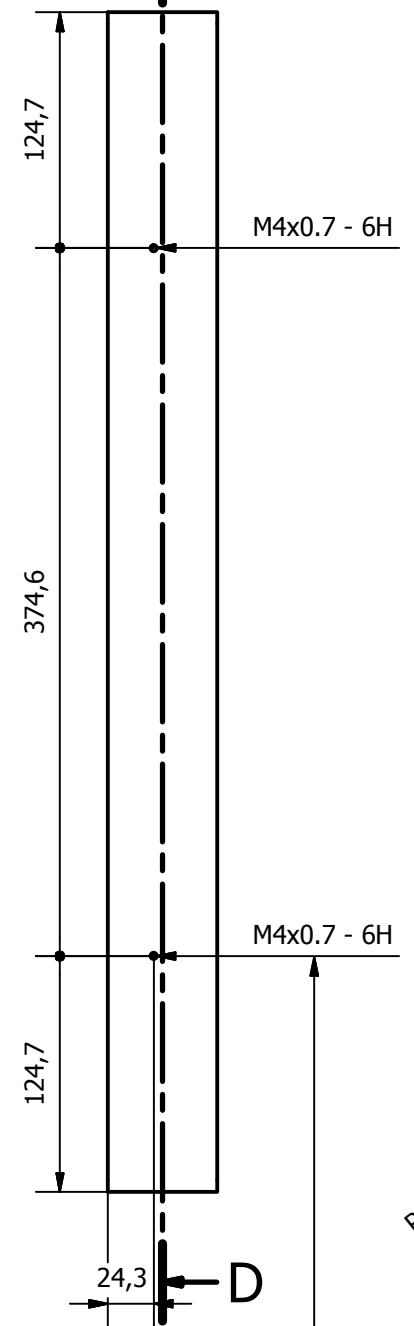
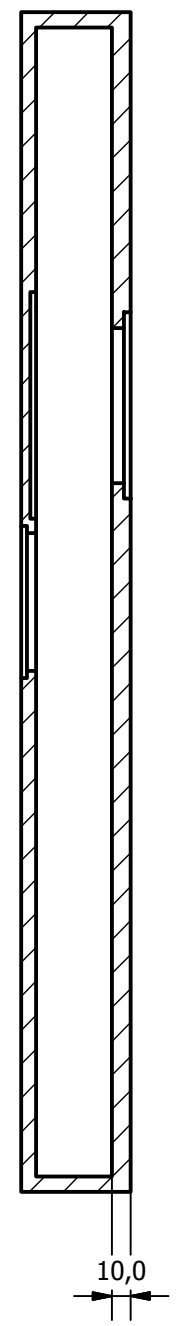
C (1:2)



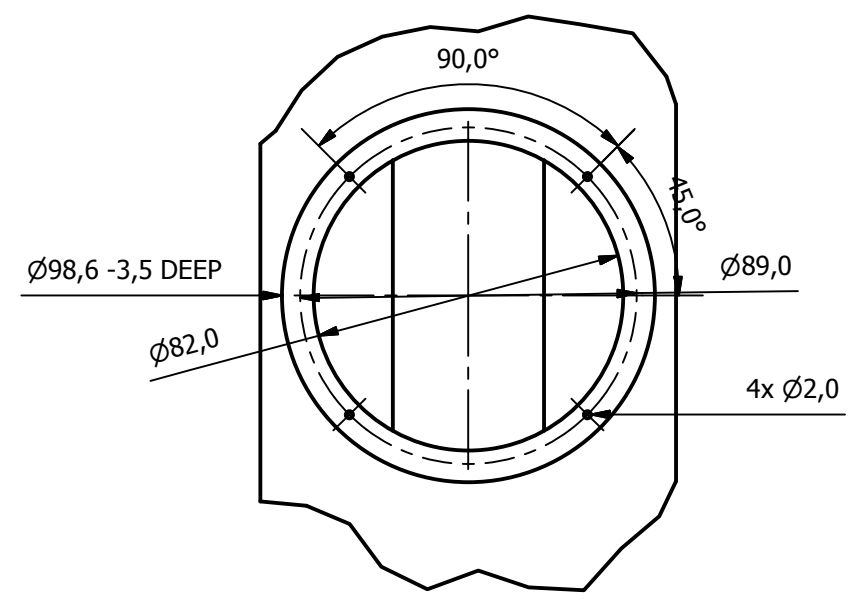
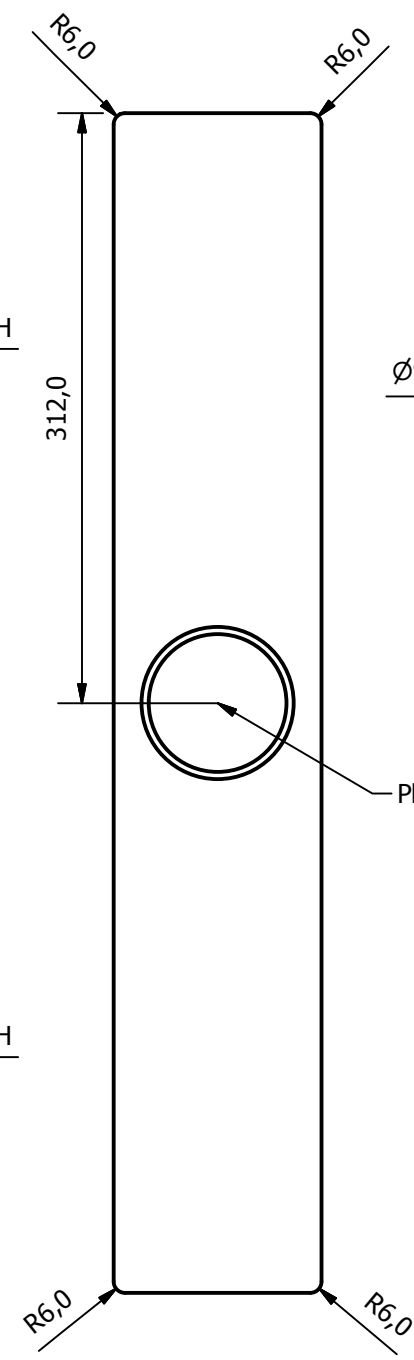
Placement of sockets for grille K02134_1.



3mm recession, adjust corners to router bit



This drawing shows mounting holes for right speaker. Left speaker need holes on the opposite side.



Placement of terminal

Material: 8mm MDF, Front baffle 10mm MDF
 Finish: Pantone Hexachrome Black C (alternatively RAL 9011 or RAL 9005)
 The cabinet must be made in mirrored pairs.
 Terminal wires with 2.8x0.5mm female FastOn
 Loosely filled with damping material, no material behind speaker hole
 6mm grill with black textile should be flush with cabinet side panels and front

This component must be clean and with a surface energy not less than 40 mN/m (dyn/cm).

This component must be compliant with the European RoHS Directive (2011/65/EU)

This drawing is SEAS property. Every duplicating, utilization or conveyance to a third party is punishable - according to law.

Designed by haavard	Checked by	Approved by	Date	Date 18.10.2016
SEAS The Art of Sound Perfection		NEC SP-484SM_cab		
		K02134	Edition	Scale

A

A

6 1 5 1 4 3 1 2 1 1