

Order Code: 100014132

NP39ML

Ultra Short-Throw Lens

Discover new projection capabilities - Ultra Short Throw Lens for NEC PX803UL Series Installation Projectors

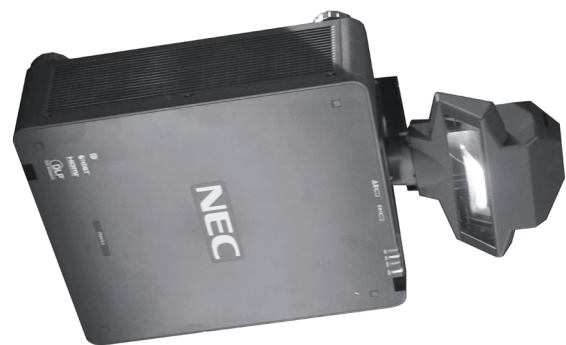


A new NEC Ultra Short Throw Lens extends the lens line up for NEC PX803UL Series installation projectors perfectly suited for Signage, Museum, Rental/ Staging, Higher Education and large Corporate environments.

Discover new projection capabilities enabling the projector to be positioned close to the screen; the ideal solution where space is a challenge. Enjoy maximum installation flexibility and creativity from face up/down, landscape/portrait and vertical mounting capability.

Inspire your audience with a new visualisation experience for screen sizes from 100" to 350" diagonal, served by the outstanding picture quality delivered by the NEC PX803UL Series projectors.

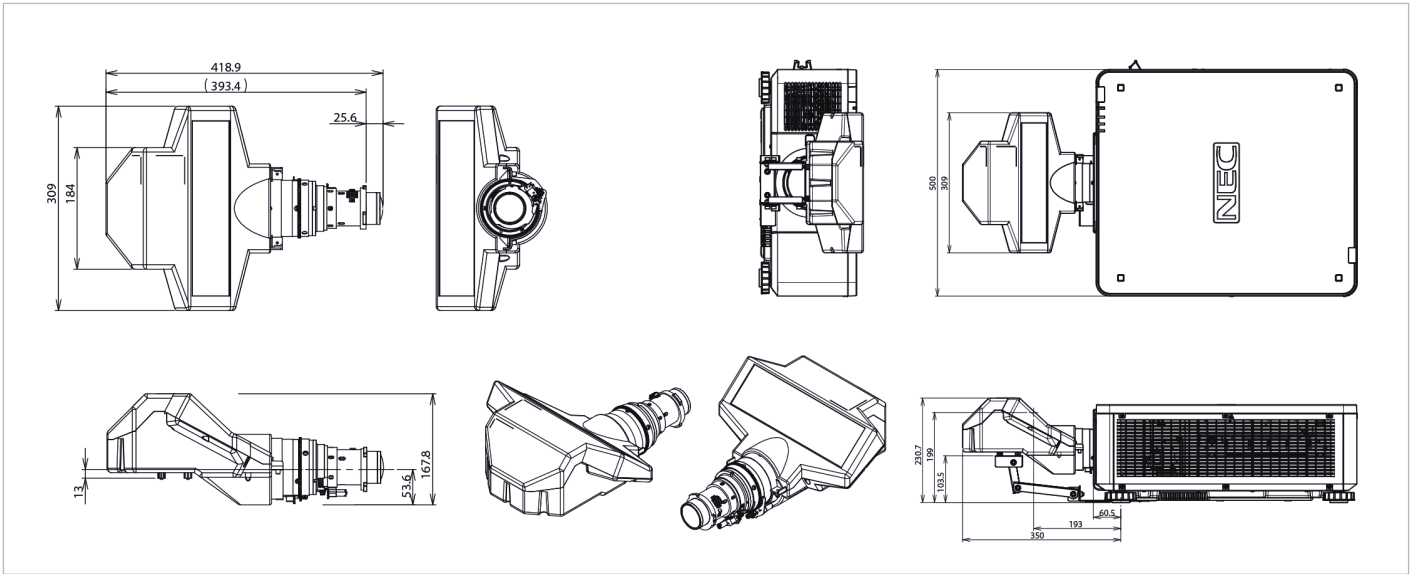
NP39ML Installation



Delivering Genuine Benefits

- Eliminate Space Challenges – create larger pictures, from 100" - 350" diagonal screen size, with shorter projection distances (100" at only 0.83m distance).
- No Limits for Positioning – enjoy maximum installation flexibility with desktop, ceiling and vertical wall mount lens capabilities.
- Be Stylish in Portrait – create extraordinary projections in portrait format for digital signage Installations.
- Crystal Clear Image Quality - with crystal clear glass elements, the lens facilitates an outstanding visual experience with superior picture quality.

Technical Drawings

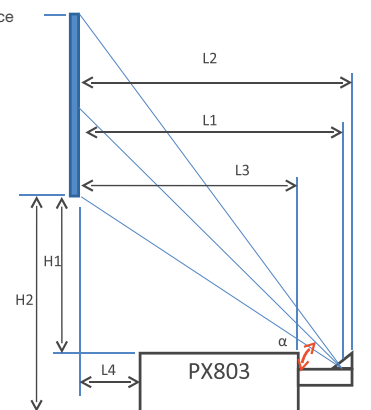


Technical Specifications

Screen Size						H2	L1		L4		α	
Diagonal		Width		Hight			inch	mm	inch	mm		deg
inch	mm	inch	mm	inch	mm	inch	mm	inch	mm	inch	mm	deg
100	2540	85	2153,916	53	1346,197	28	701	32	817	-1	-24	59
120	3048	102	2584,699	64	1615,437	32	812	38	969	5	127	59
150	3810	127	3230,874	79	2019,296	39	979	47	1196	14	354	59
200	5080	170	4307,831	106	2692,395	49	1257	62	1574	29	733	59
250	6350	212	5384,789	132	3365,493	60	1536	77	1953	44	1111	59
300	7620	254	6461,747	159	4038,592	71	1814	92	2331	59	1489	59
350	8890	297	7538,705	185	4711,691	82	2093	107	2709	74	1868	59

Model	NP39ML
Order Code	100014132
TR:	0,38:1
F:	2.0
f:	5,64 mm
Weight:	2,7 kg
Focus:	Motorised
Screen size:	100"-350"
Size:	309x167.8x418.9mm
For additional pictures and Solutions overview, Visit www.nec-display-solutions.com for details.	

- L1 Screen to mirror reflective curved surface
- L2 Screen to point of mirror
- L3 Screen to projector front
- L4 Screen to projector back
- H1 Screen bottom to projector top side
- H2 Screen bottom to projector bottom
- α Projection angle



NEC Display Solutions Europe GmbH
 Landshuter Allee 12-14, D-80637 München
 infomail@nec-displays.com
 Phone: +49 (0) 89 99 699-0
 Fax: +49 (0) 89 99 699-500
www.nec-display-solutions.com