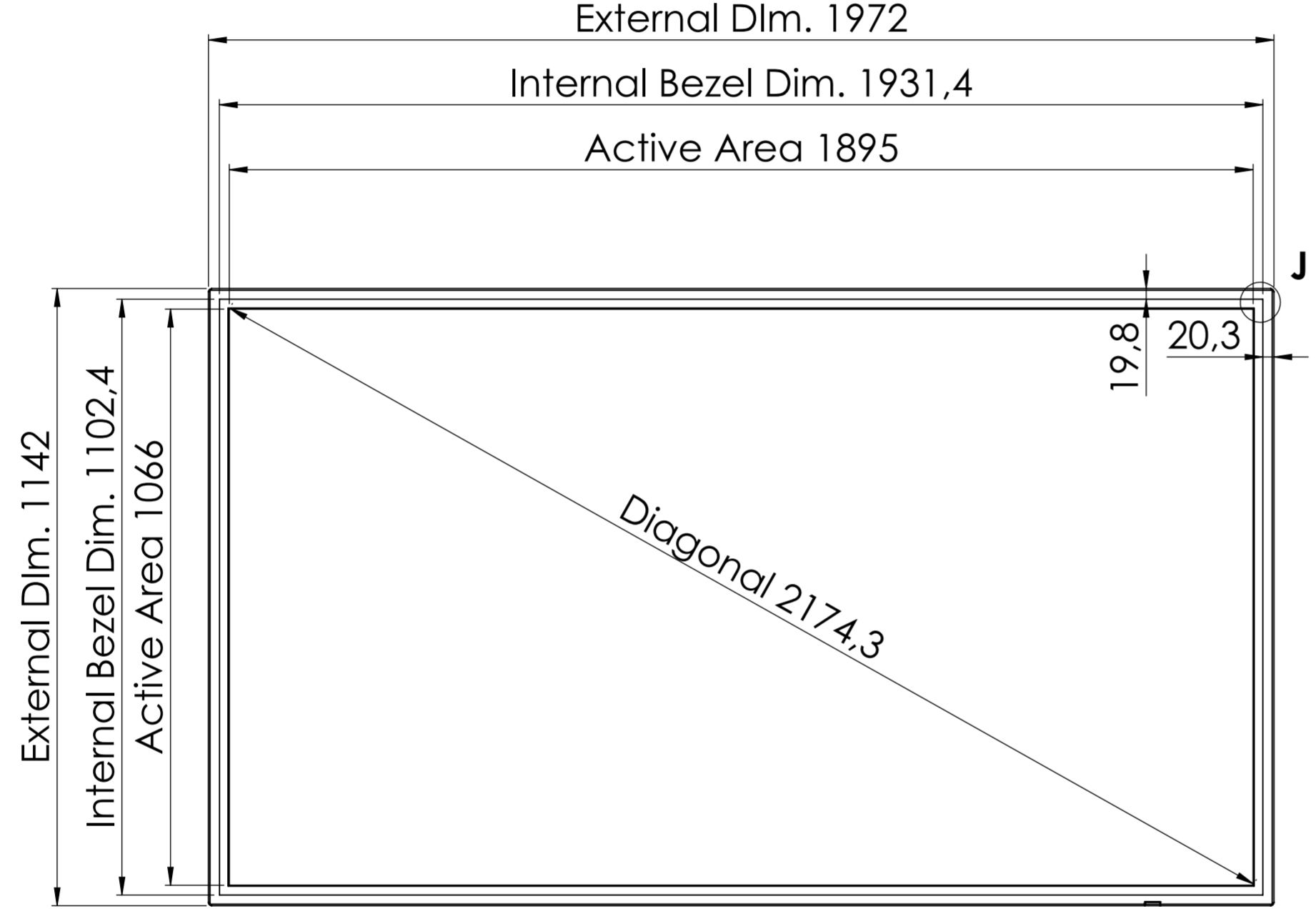
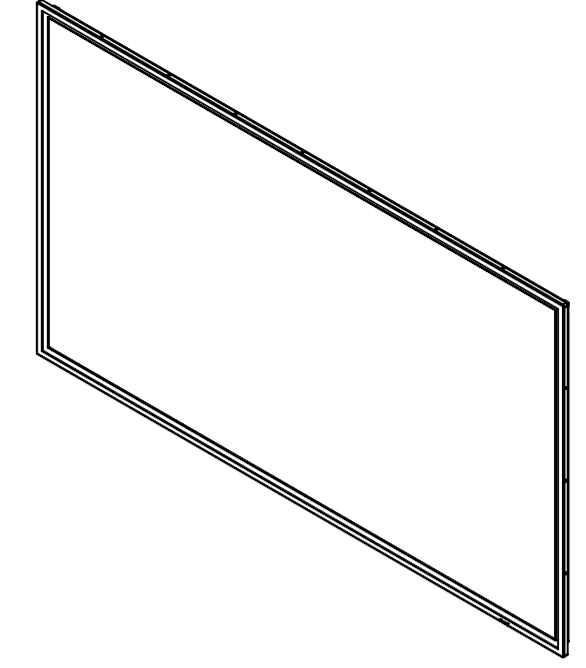
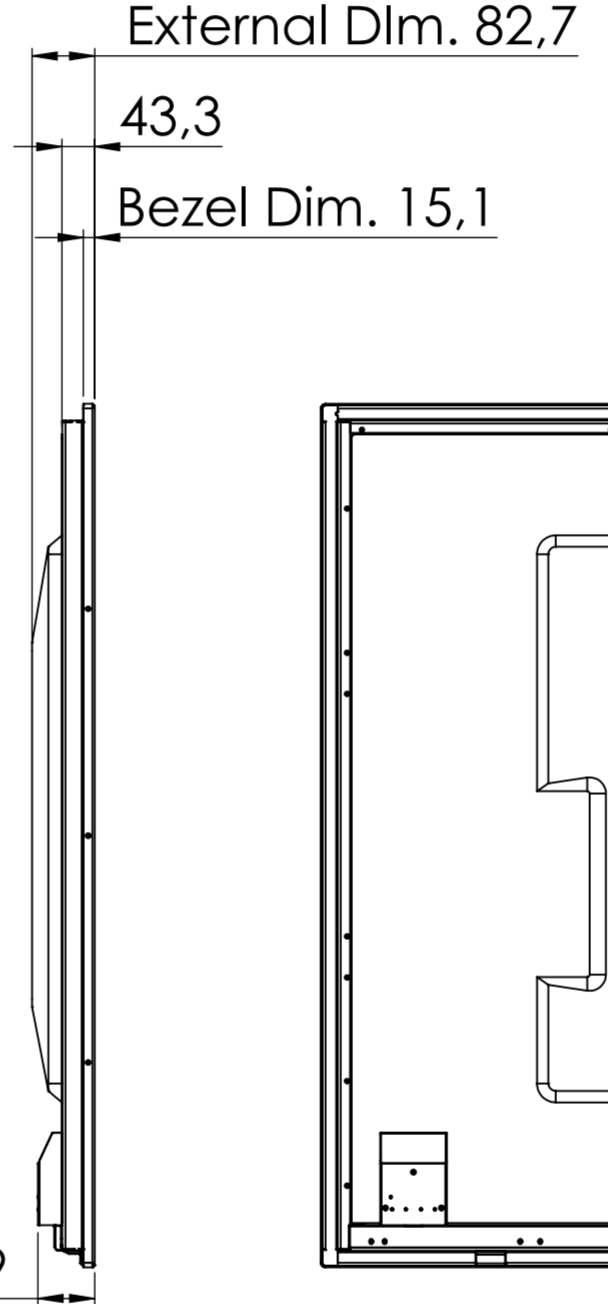


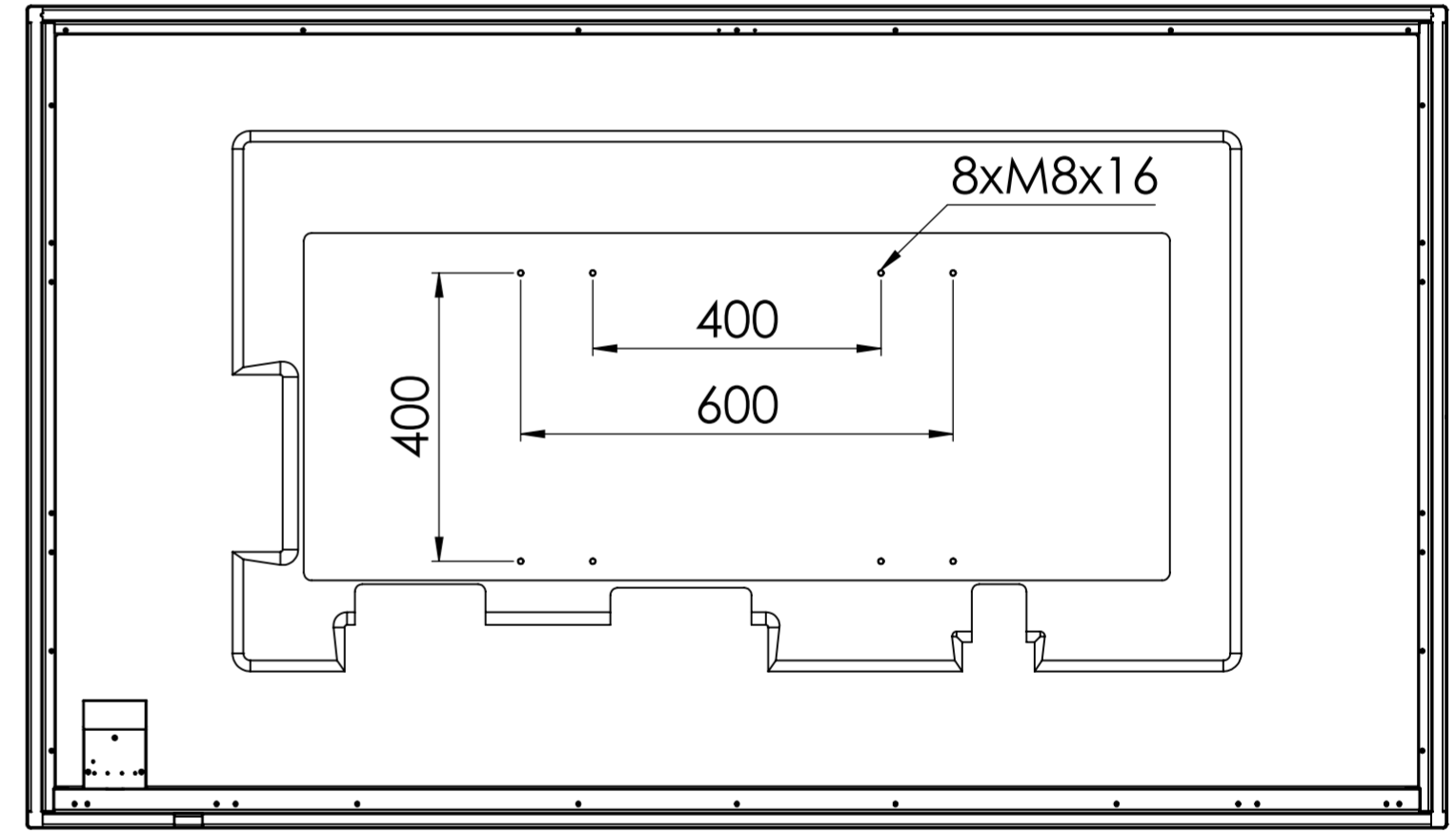
Bottom View  
Scale 1:10



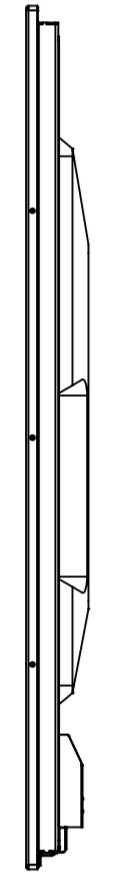
Front View  
Scale 1:10



Left Side View  
Scale 1:10



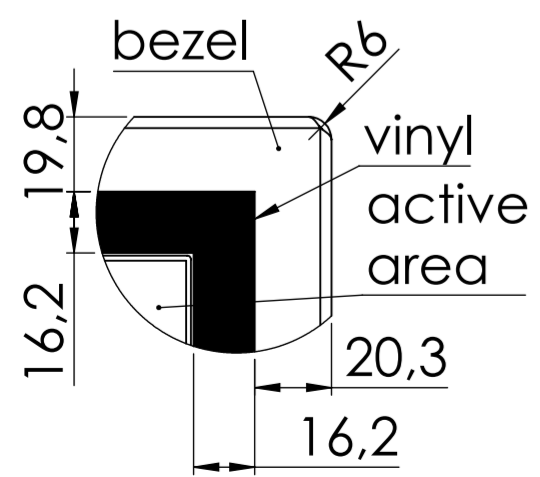
Rear Side View  
Scale 1:10



Right Side View  
Scale 1:10



Top View  
Scale 1:10



DETAIL J  
Scale 1:2

UNLESS OTHERWISE SPECIFIED: DIMENSION ARE IN MILLIMETERS: TOLERANCES: +/- 0,1mm ANGULAR: MACH +/- 30'		File Owner: <b>U-Touch POLAND</b> ul. Kraczymiech 40B, 32-300 Chrzanów POLAND All rights reserved. Copying contents without the owner's express consent is forbidden.		DO NOT SCALE DRAWING	CORRECTION
DREW by: Krzysztof Barłosk		SIGNATURE		MATERIAL:	
APPROVED		DATE: 25.04.2018		TITLE: TMA 8602	
REVISION: No revision		DATE: 27.04.2018		PROJECT DESCRIPTION:	
MODIFICATION DATE: 27.04.2018		COMMENTS:		Line_Drawing_ASSY TM A 8602 (NEC P864Q+Flatfrog P-Line)	
WEIGHT:		SCALE: 1:10		SHEET 1 Z 1	