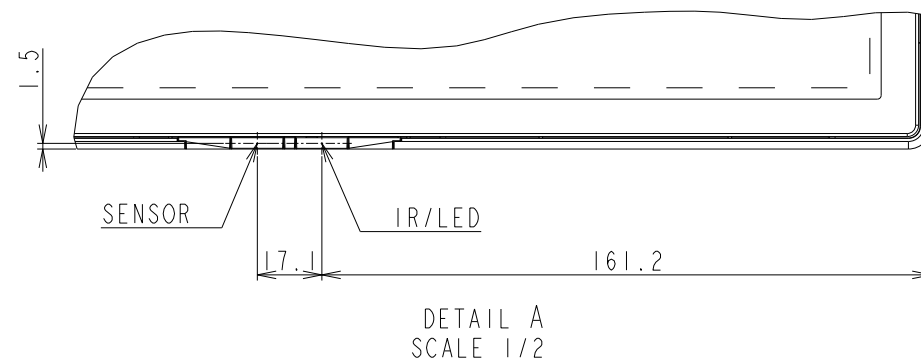
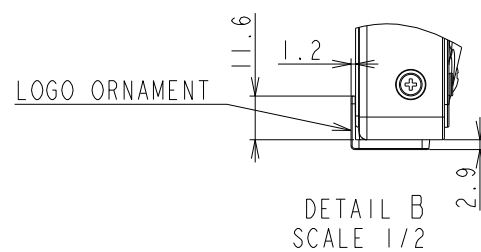
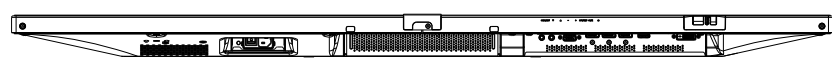
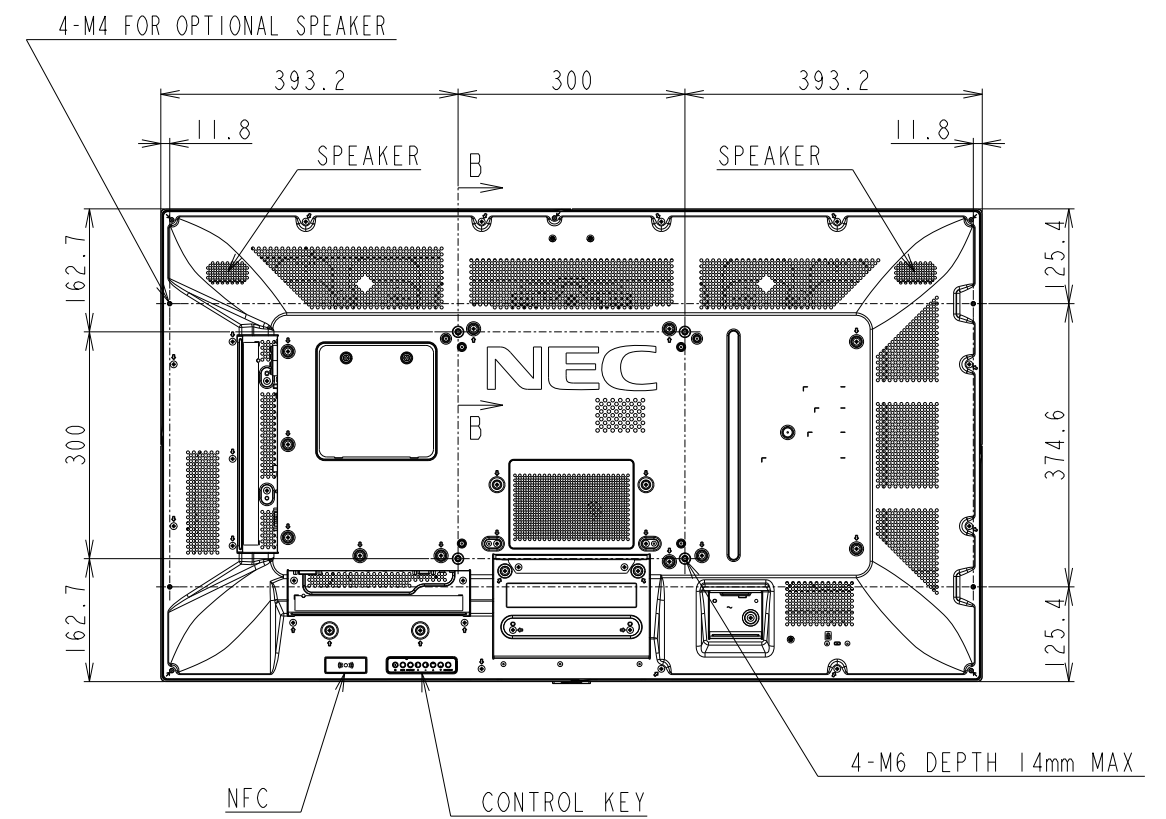
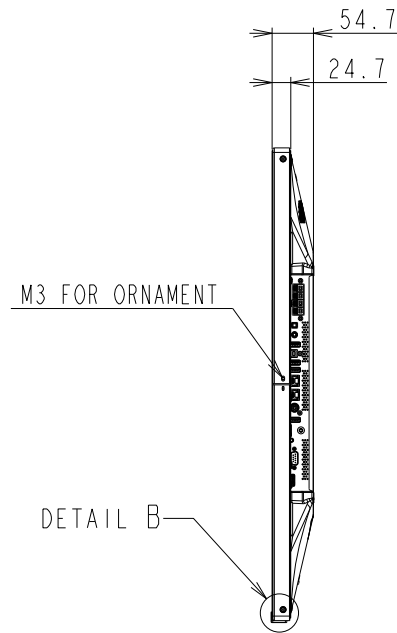
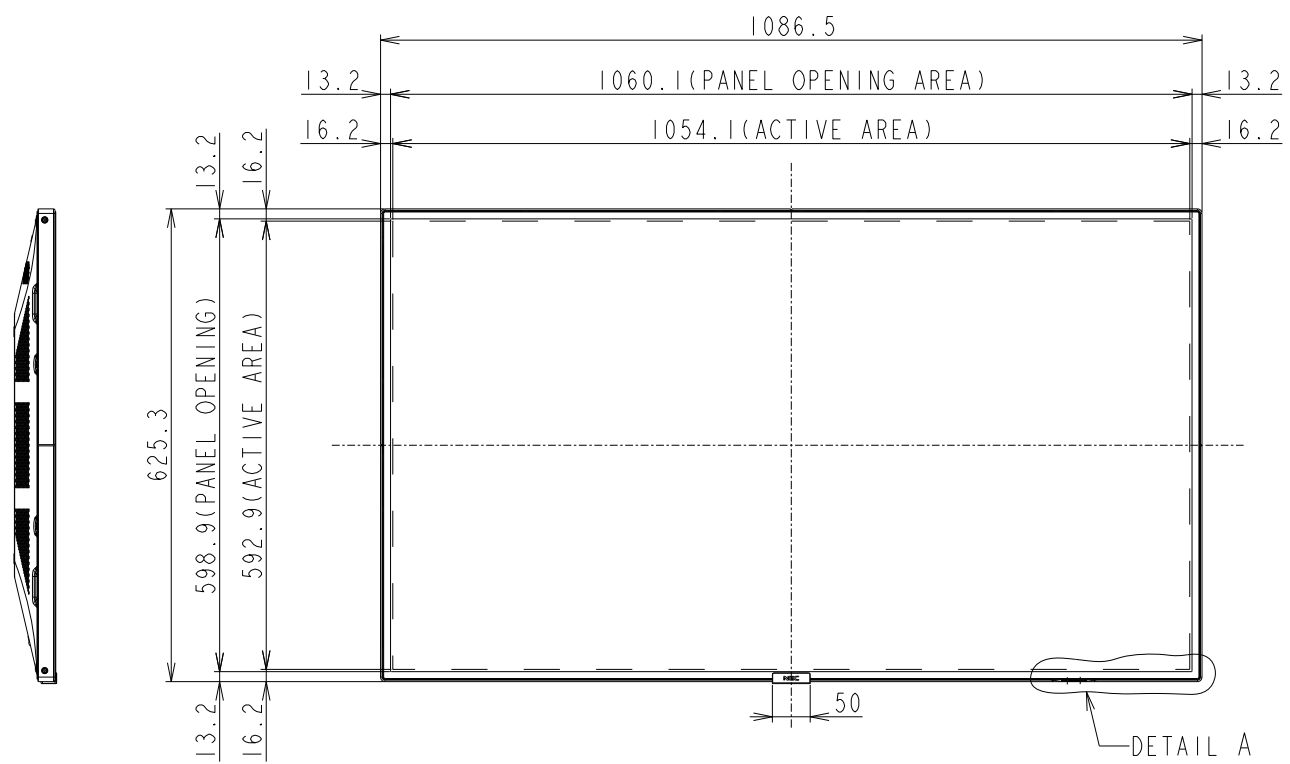
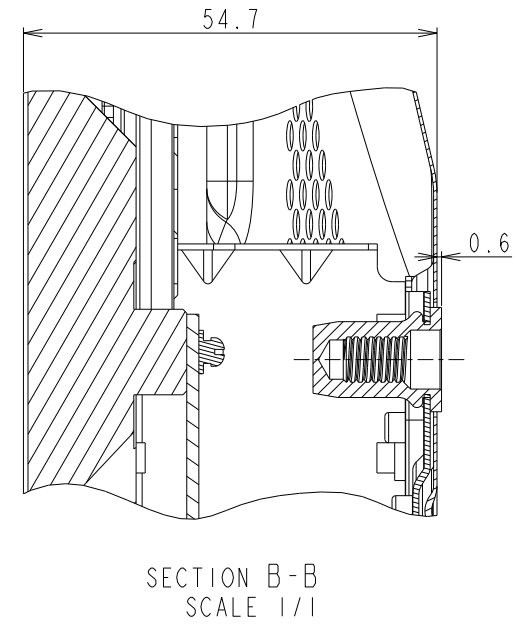
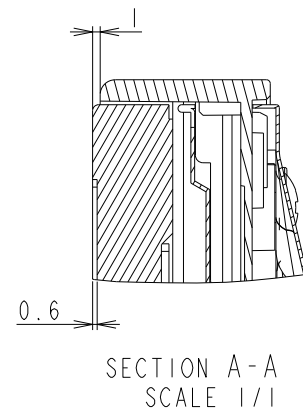
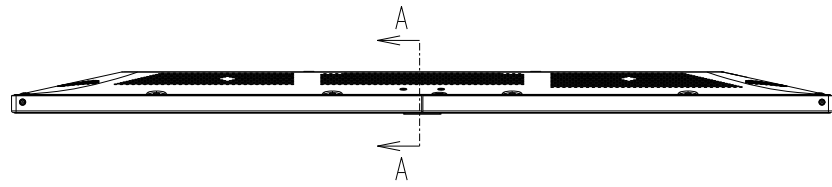


V484 OUTLINE

The center of gravity: It is within 10mm from active center.



UNIT	mm
MODEL	V484
SCALE	1/10
NEC Display Solutions 2016/11/22	