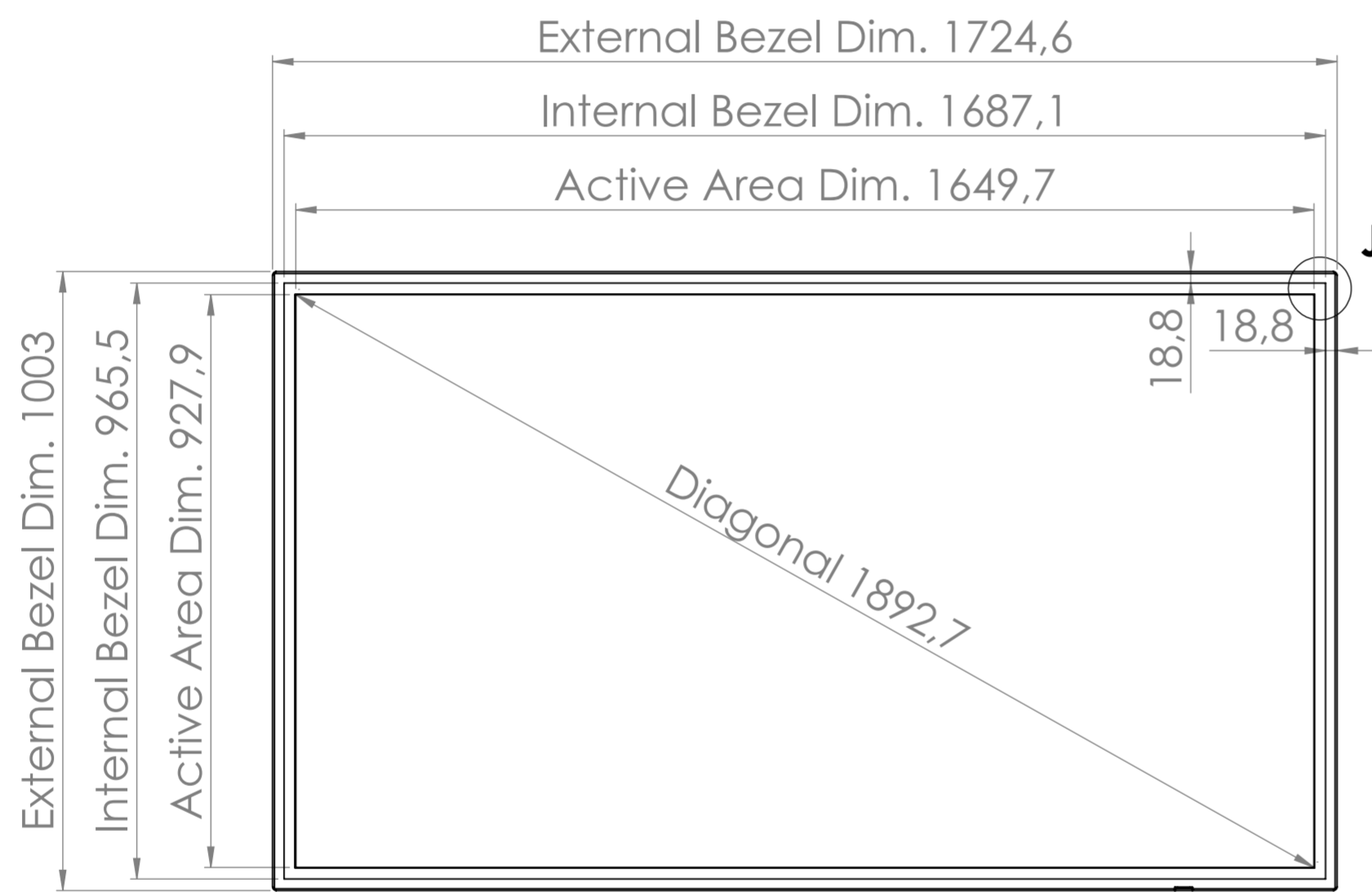
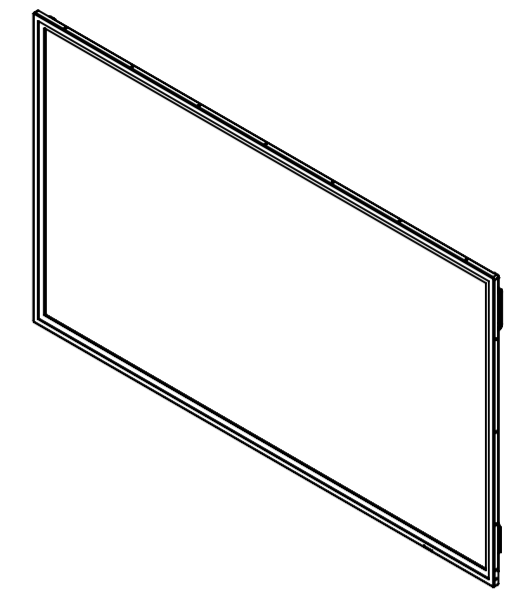
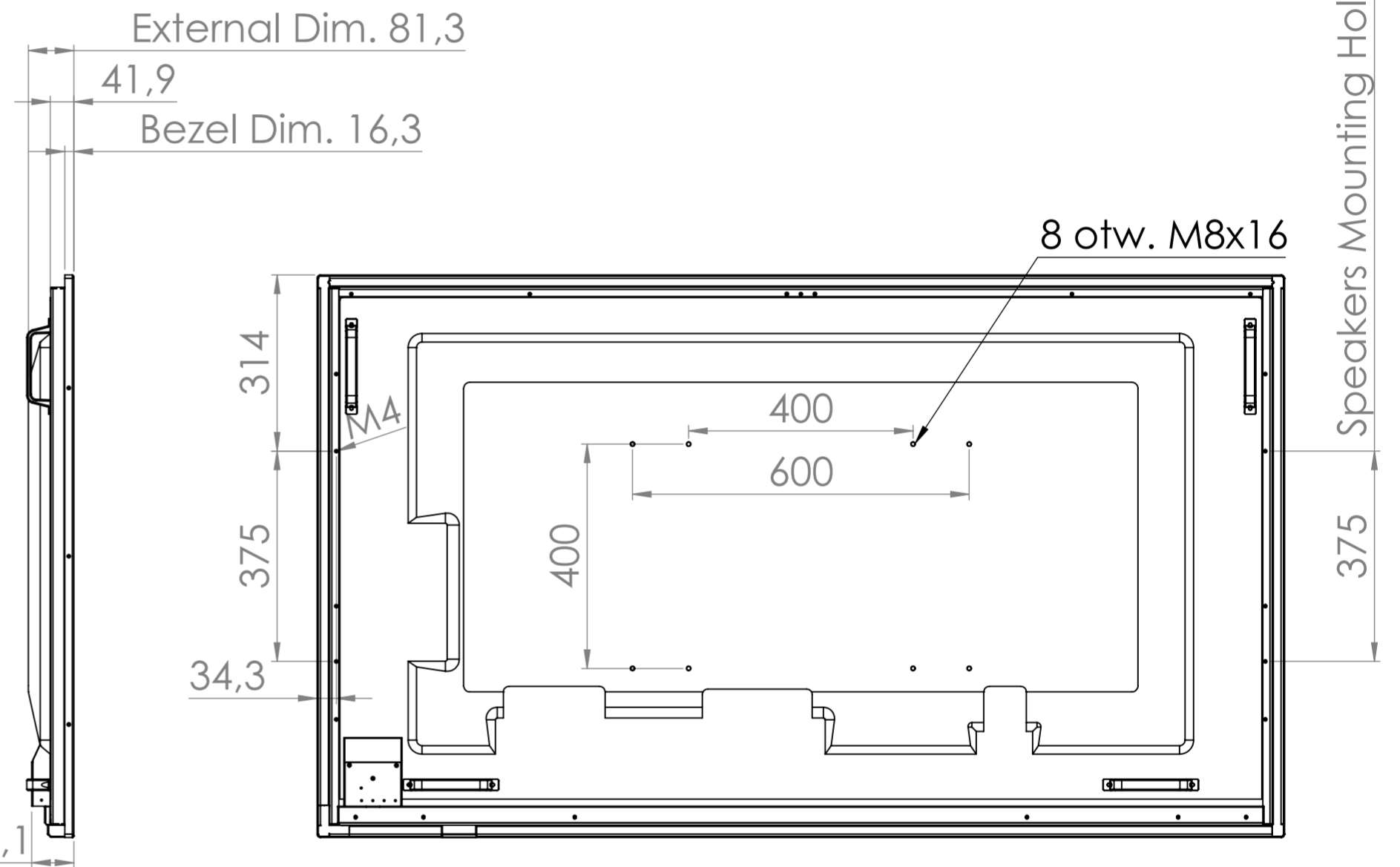


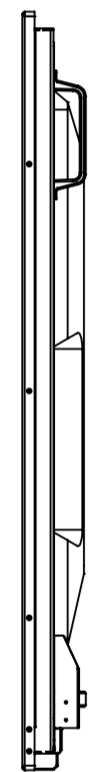
Bottom View
Scale 1:10



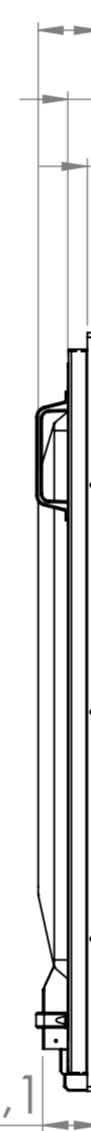
Front View
Scale 1:10



Rear Side View
Scale 1:10



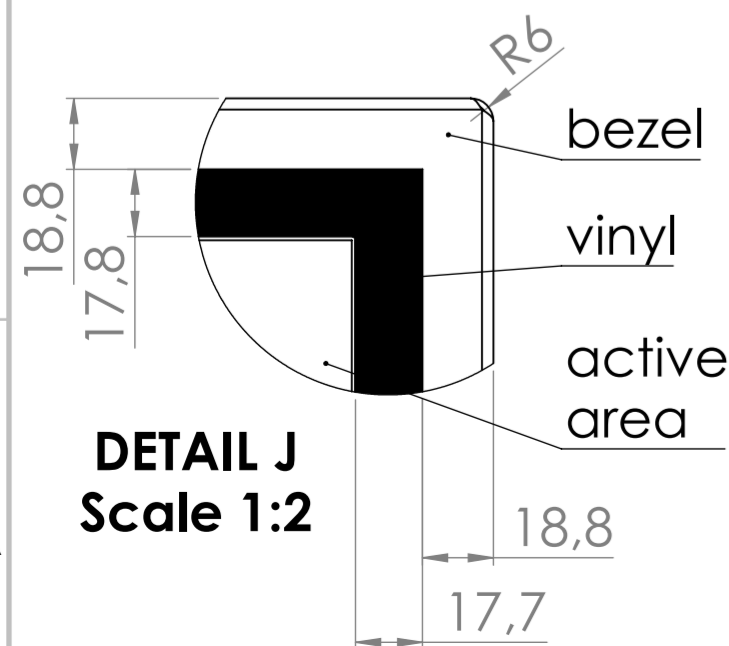
Right Side View
Scale 1:10



Left Side View
Scale 1:10



Top View
Scale 1:10



DETAIL J
Scale 1:2

UNLESS OTHERWISE SPECIFIED: DIMENSIONS ARE IN MILLIMETERS: TOLERANCES: +/- 0,1mm ANGULAR: MACH +/- 30'			File Owner: U-Touch POLAND ul. Kroczymskich 40B, 32-300 Chrzanów POLAND All rights reserved. Copying contents without the owner's express consent is forbidden.		DO NOT SCALE DRAWING	CORRECTION
DREW by: Krzysztof Bartosik			SIGNATURE		MATERIAL:	
APPROVED: Przemysław Malczyk			DATE: 26.04.2018		TITLE: TM A 7502 rev.6	
REVISION: rev.6			DATE: 17.10.2019			
LAST FILE SAVED DATE: 17.10.2019			PROJECT DESCRIPTION:			
COMMENTS:			Line_Drawing_ASSY TM A 7502 (NEC V754Q+Flatfrog P-Line)-rev6			
WEIGHT:			SCALE: 1:10		SHEET 1 Z 1	