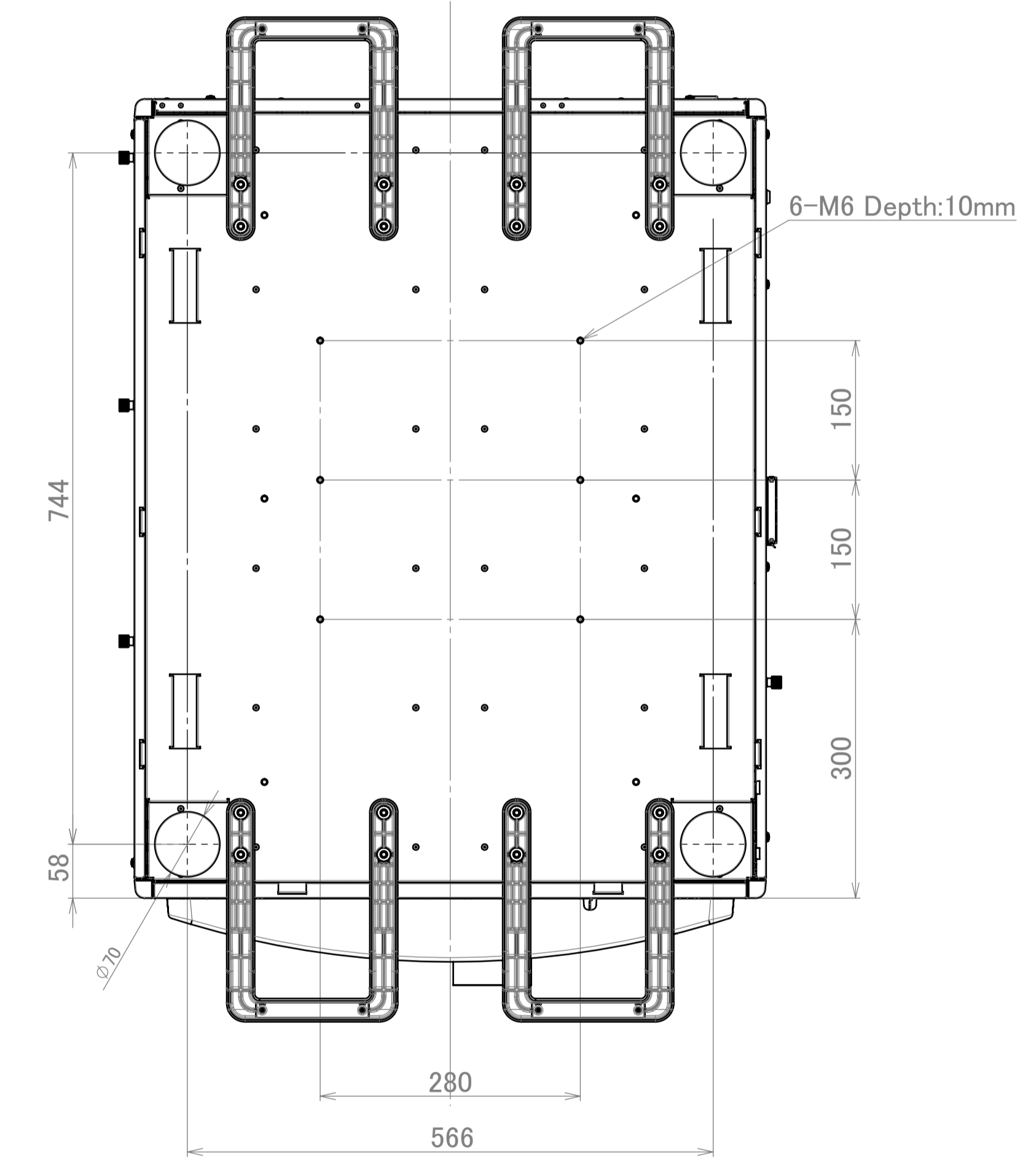
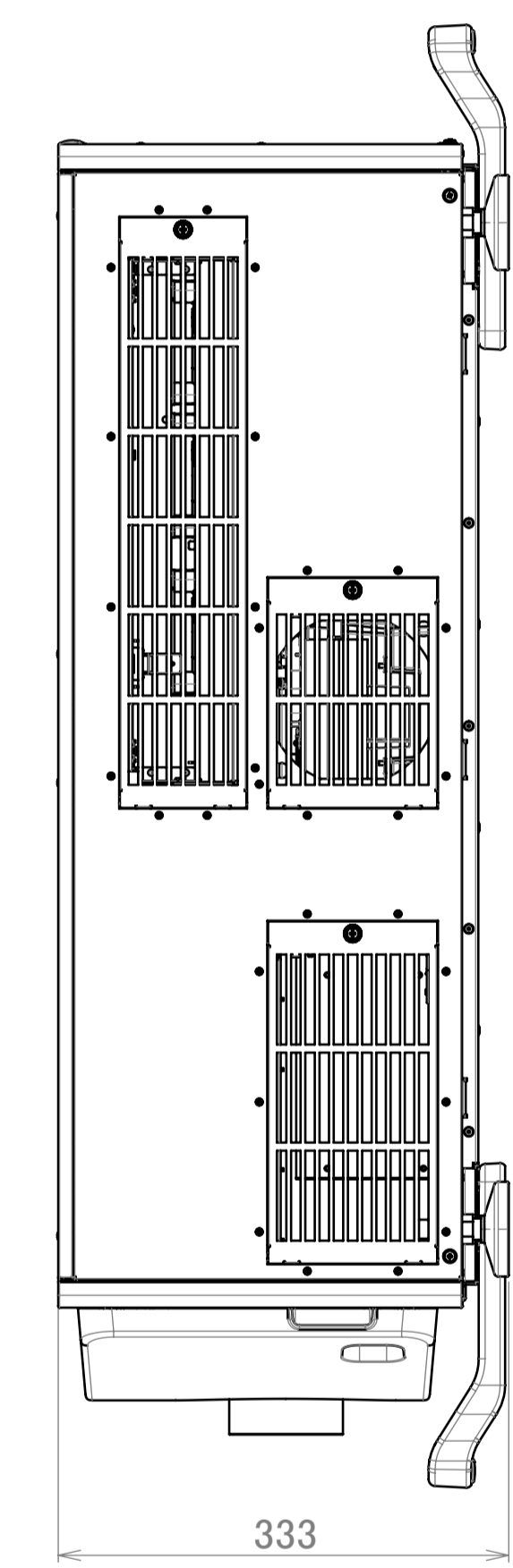
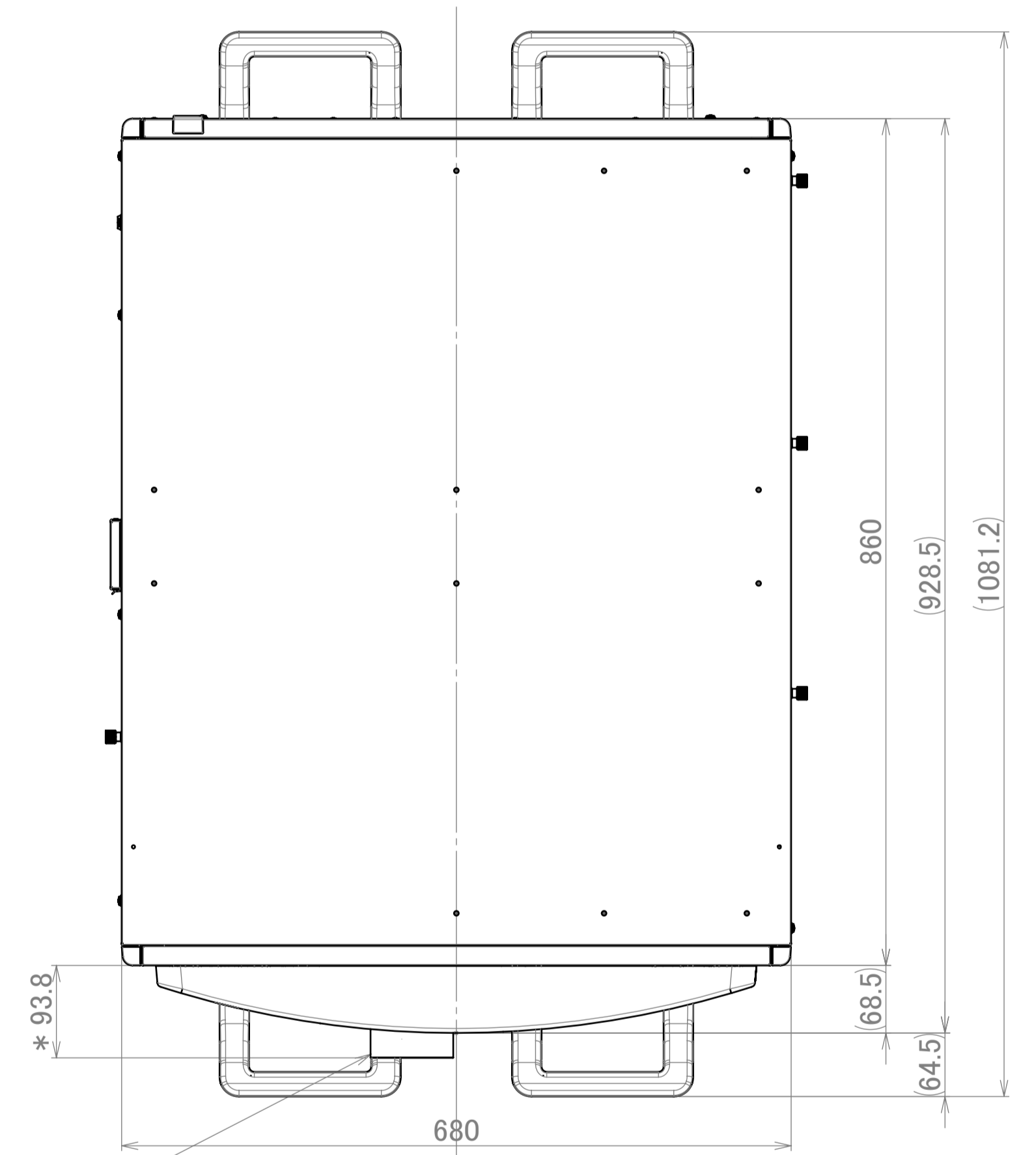
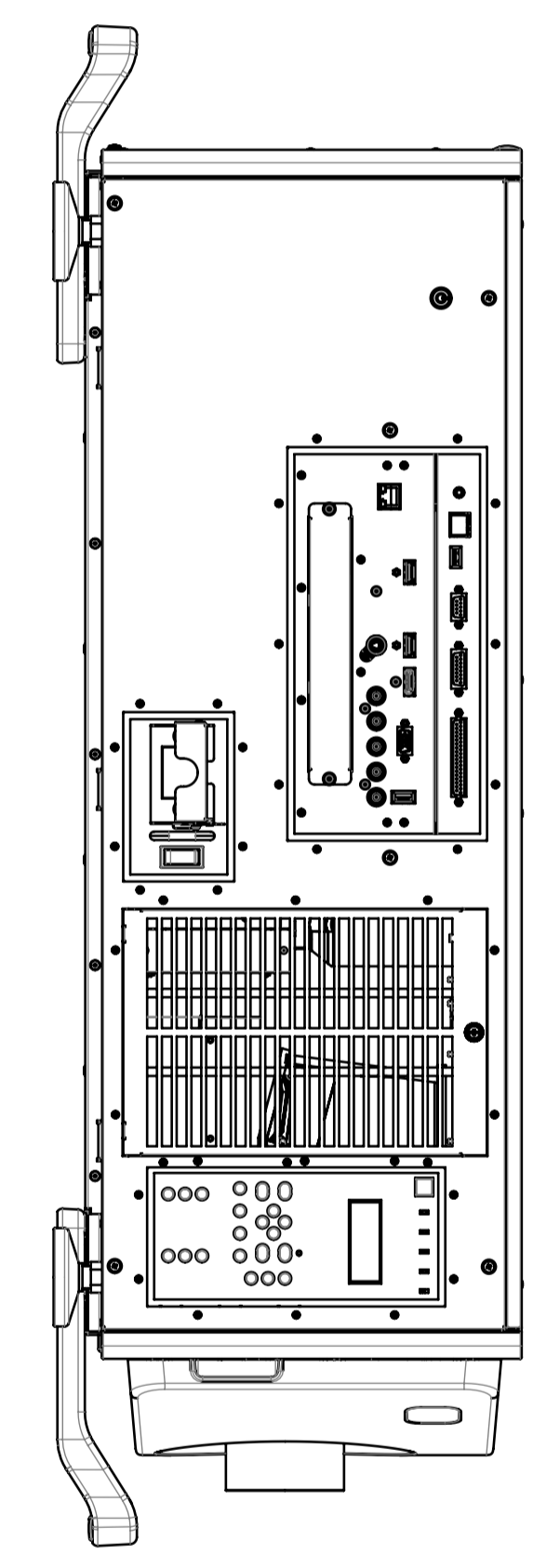
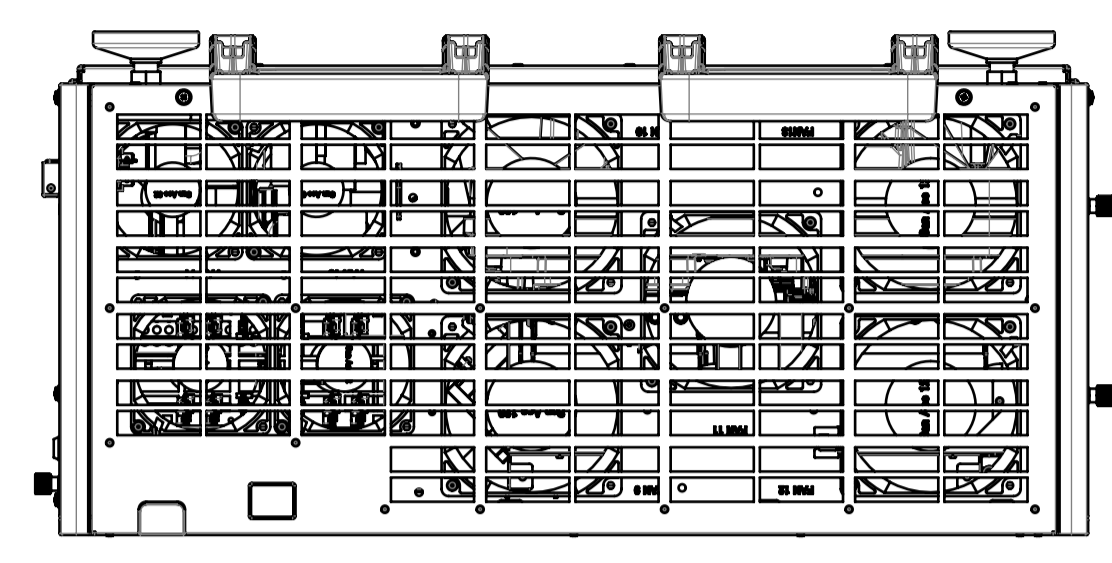
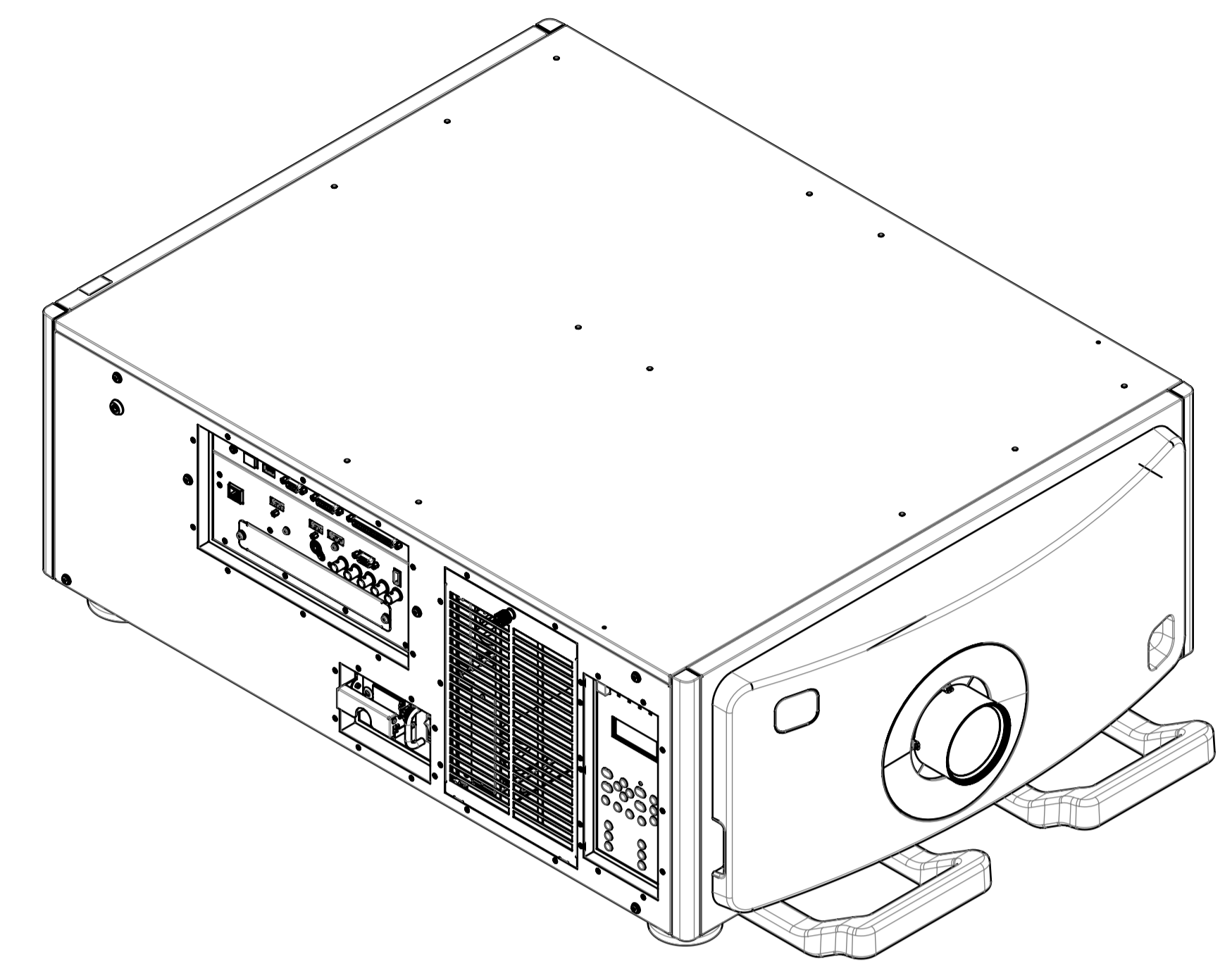
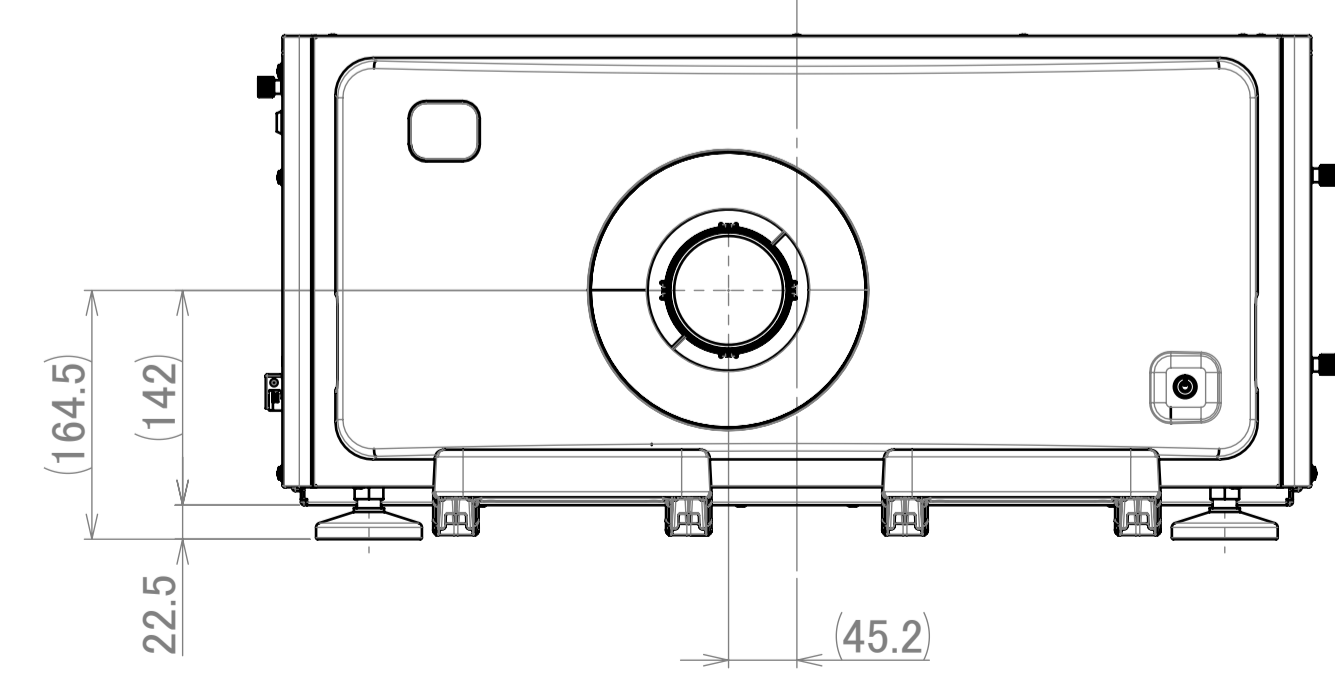


REV	DESCRIPTION	APPD
1	2015.02.24	-



Lens NP-9LS12ZM



LENS LOCATION	
LENS	* dimension
NP-9LS08ZM1	134
NP-9LS12ZM1	93.8
NP-9LS13ZM1	93.8
NP-9LS16ZM1	93.8
NP-9LS20ZM1	83.7
NP-9LS40ZM1	58.2

フィルム
AP ROLL
整理期限
整理番号

MATERIAL		DIMENSIONS		FINISH	
ENGINEER	ENG.APPD	DRAWN	CHECKED	APPROVED	UNITS
		M. Yamashita	Y. Ohta	M. Shimizu	

NP-PH1202HL  
Outside Dimensions

UNLESS OTHERWISE SPECIFIED ALL TOLERANCES TO BE IN ACCORDANCE WITH NEC STD.  
THIRD ANGLE PROJECTION SCALE 1:5

MODEL	SCALE
ASSY	1:5