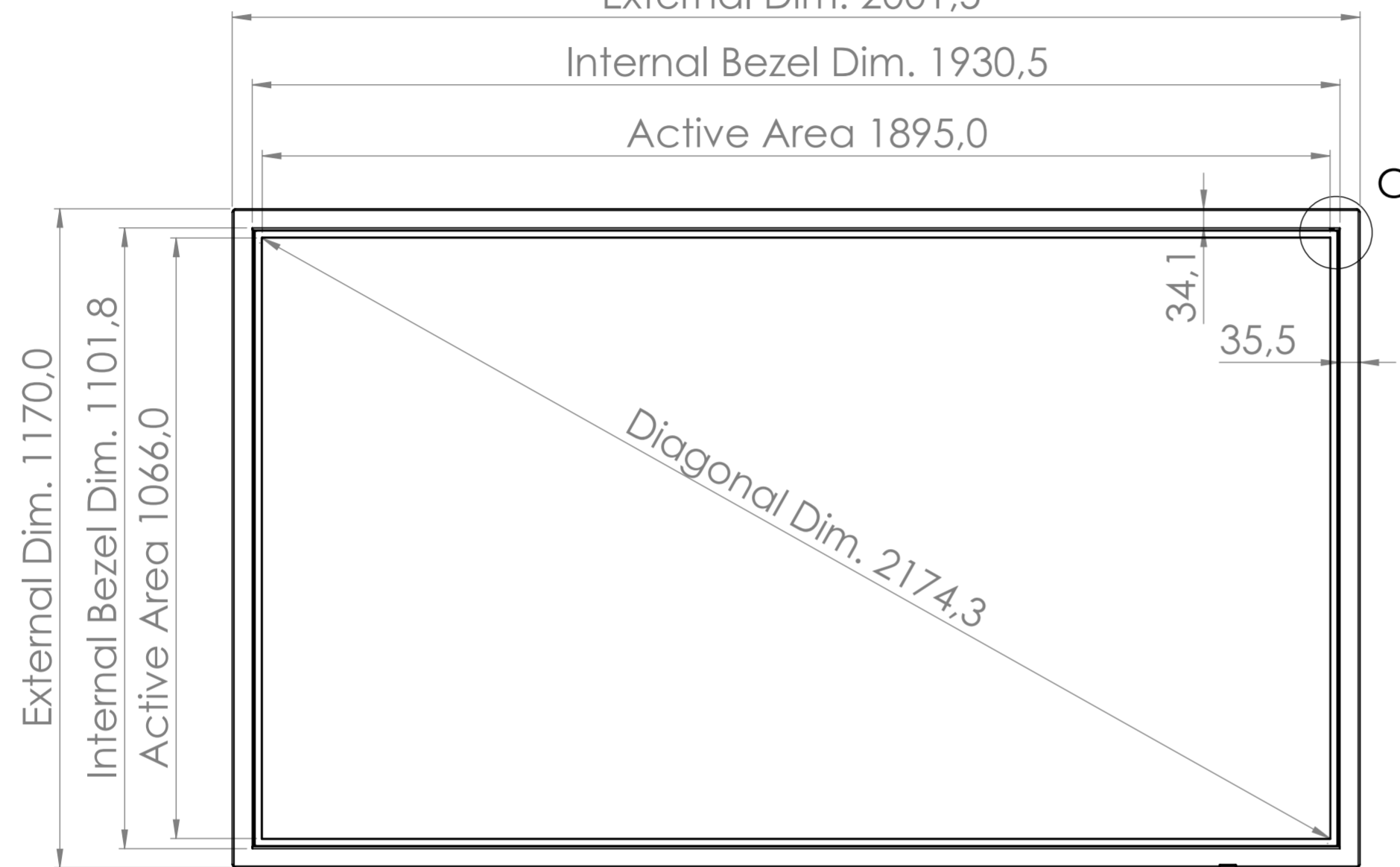
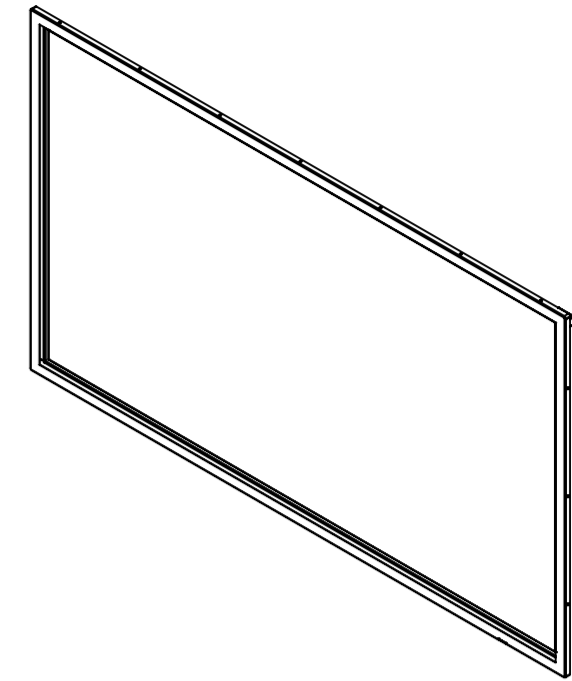


Bottom View  
Scale 1:10

External Dim. 2001,5

Internal Bezel Dim. 1930,5

Active Area 1895,0

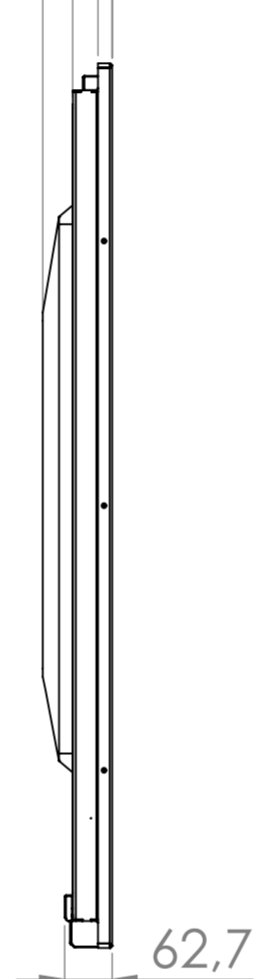


Front View  
Scale 1:10

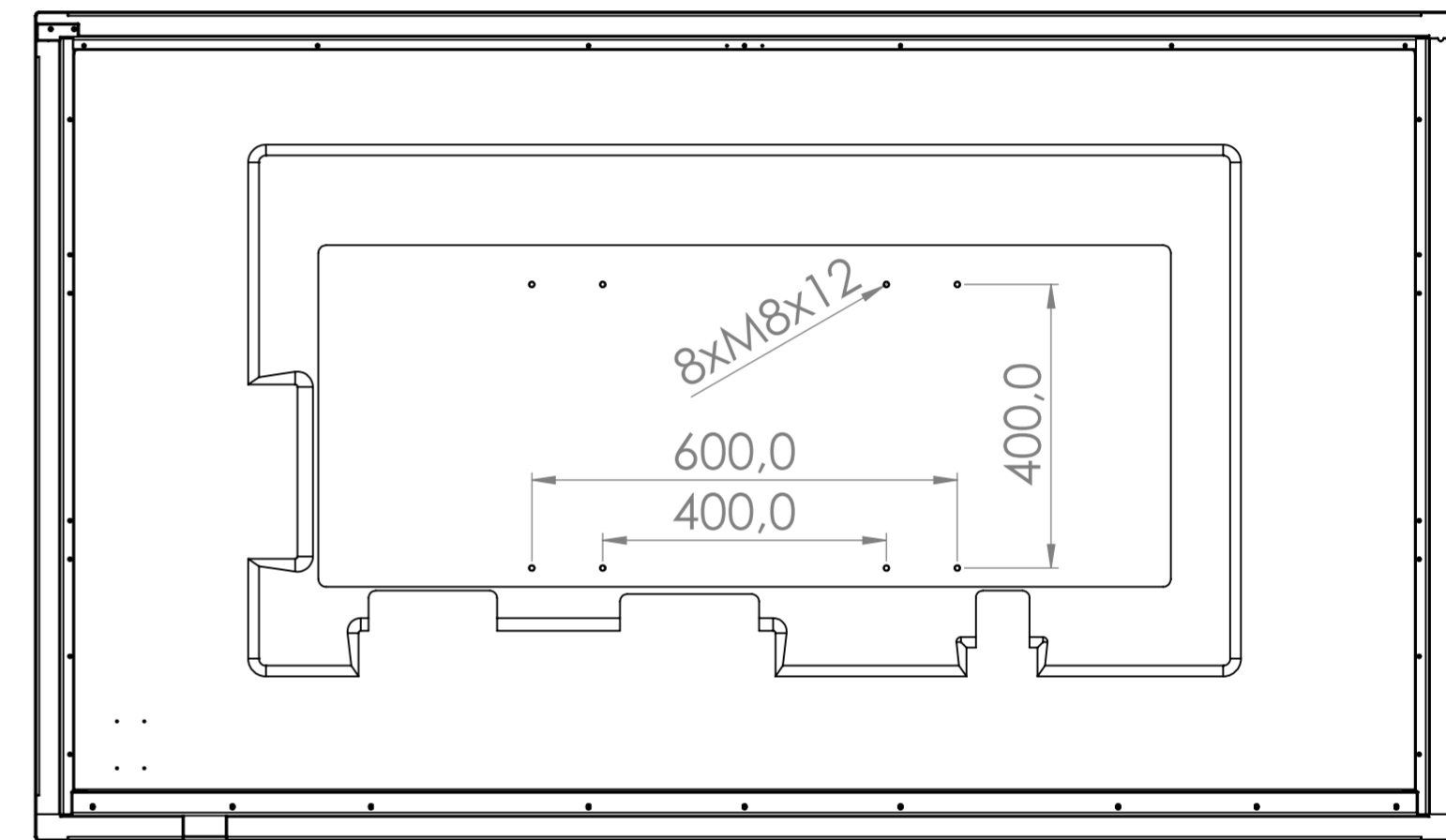
External Dim. 91,4

52,0

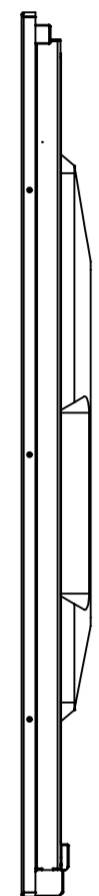
Bezel 18,6



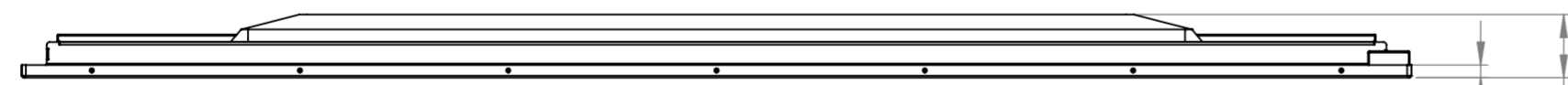
Left Side View  
Scale 1:10



Rear Side View  
Scale 1:10

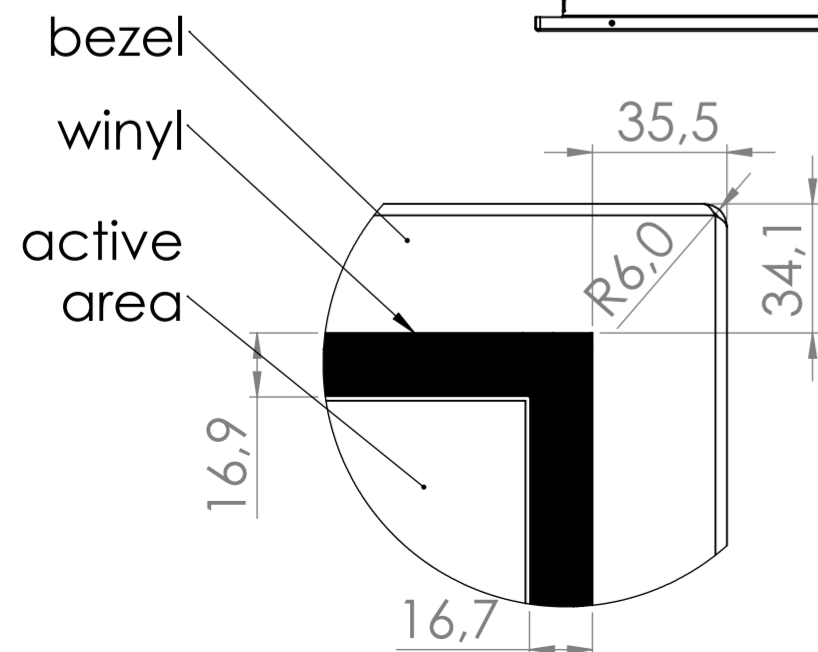


Right Side View  
Scale 1:10



Top View  
Scale 1:10

Bezel Dim. 18,6  
External Dim. 91,4



DETAIL C  
Scale 1 : 2

|   |  |   |  |  |            |
|---|--|---|--|--|------------|
| UNLESS OTHERWISE SPECIFIED:<br>DIMENSIONS ARE IN MILLIMETERS:<br>TOLERANCES: +/- 0,1mm<br>ANGULAR: MACH +/- 30' |  | File Owner: <b>U-Touch POLAND</b><br>ul. Kroczymskich 40B, 32-300 Chrzanów<br>POLAND<br>All rights reserved. Copying contents<br>without the owner's express<br>consent is forbidden. |  | DO NOT SCALE DRAWING   | CORRECTION |
| DREW by Krzysztof Bartosik  |  | SIGNATURE   |  | MATERIAL:  |            |
| APPROVED P. Malczyk   |  | DATE  |  | TITLE:   |            |
| REVISION Rev. 1   |  | 02-12-2018  |  | TM A 8601  |            |
| MODIFICATION DATE:  |  | 01-12-2018  |  |  |            |
| COMMENTS:   |  | PROJECT DESCRIPTION:  |  | ASSY TM A 8601 (NEC V864Q+SS) Slim Edition-<br>Line_Drawing-rev1 |            |
| WEIGHT:   |  | SCALE:1:10  |  | SHEET 1 Z 1  |            |