

Order Code: 100014831 (bk) , 100014830 (wh)

Projector Ceiling Mount PJ02CMPX

Ceiling mount for PX Series

Universal Projector ceiling mount for installation of NEC PX Series projector.

The PJ02CMPX projector mount gives installers the flexibility to quickly and securely mount the projector to deliver these unique applications.

With the PJ02CMPX mount projectors can be positioned in multiple orientations addressing the needs of popular vertical and portrait digital signage applications. This is the perfect mounting solution for projectors that are equipped with multi-directional capabilities.

Optional extension columns

Available in black and white

CM01EX: 418 - 618 mm



CM02EX: 685 - 1085 mm



CM03EX: 1135 - 1785 mm



PJ02CMPX



Adapter plate

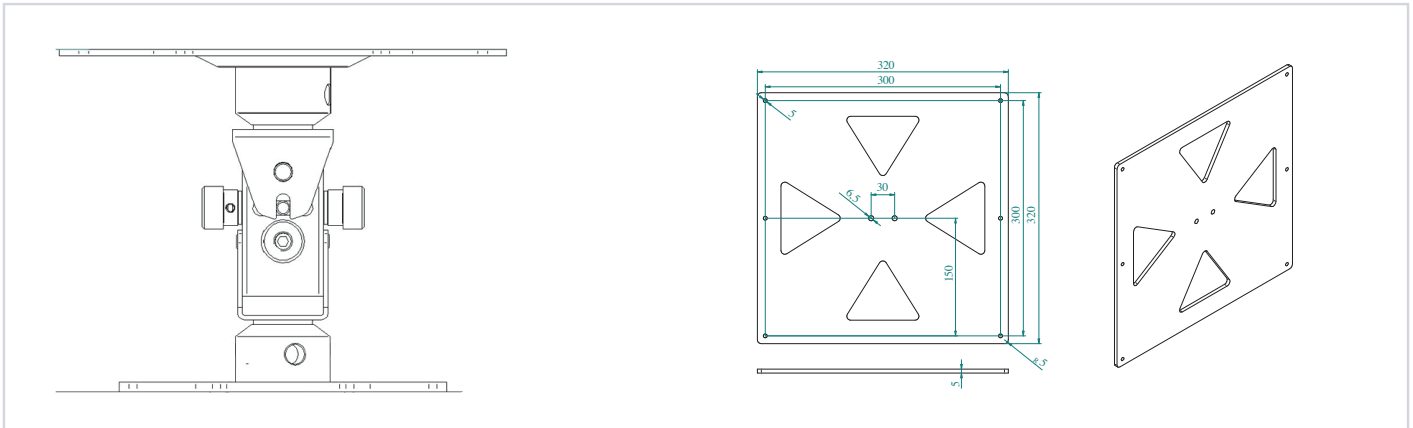


Delivering Genuine Benefits

- Easy fine-tuning for precise image alignment
- No tools required for image alignment
- Integrated cable management through optional extension column for clean appearance
- Adjustable extension lengths with optional extension columns
- Universal adapter plate to fit NEC PX Series projectors
- 5 years warranty

Technical Drawings

Projector Ceiling Mount



Technical Specifications

PRODUCT INFORMATION			
ORDER CODES			
PJ02CMPX - W	100014830	PJ02CMPX - B	100014831
CM01EX - W	100014001	CM01EX - B	100014834
CM02EX - W	100014002	CM02EX - B	100014835
CM03EX - W	100014836	CM03EX - B	100014837
Lenght (Extension Column) [mm]			
PJ02CMPX W/B	180		
CM01EX W/B	418 - 618		
CM02EX W/B	685 - 1058		
CM03EX W/B	1135 - 1785		
WEIGHT [kg]			
PJ02CMPXW/B	3.2		
CM01EX W/B	1.4		
CM02EX W/B	2.1		
CM03EX W/B	3.17		
SHIPPING DIMENSIONS [m]			
PJ02CMPX W/B	0.25 x 0.25 x 0.23		
CM01EX W/B	0.09 x 0.09 x 0.47		
CM02EX W/B	0.09 x 0.09 x 0.75		
CM03EX W/B	0.09 x 0.09 x 1.2		
MECHANICAL [kg]			
Max. Load [kg]	45		
Tilt Angle	up to 45°		
Swivel	360°		
Colour	White and Black		
Compatible NEC Projectors	PX Series		
Warranty	5 years		
For additional pictures and Solutions overview, Visit www.nec-display-solutions.com for details.			

NEC Display Solutions Europe GmbH
 Landshuter Allee 12-14, D-80637 München
 infomail@nec-displays.com
 Phone: +49 (0) 89 99 699-0
 Fax: +49 (0) 89 99 699-500
www.nec-display-solutions.com