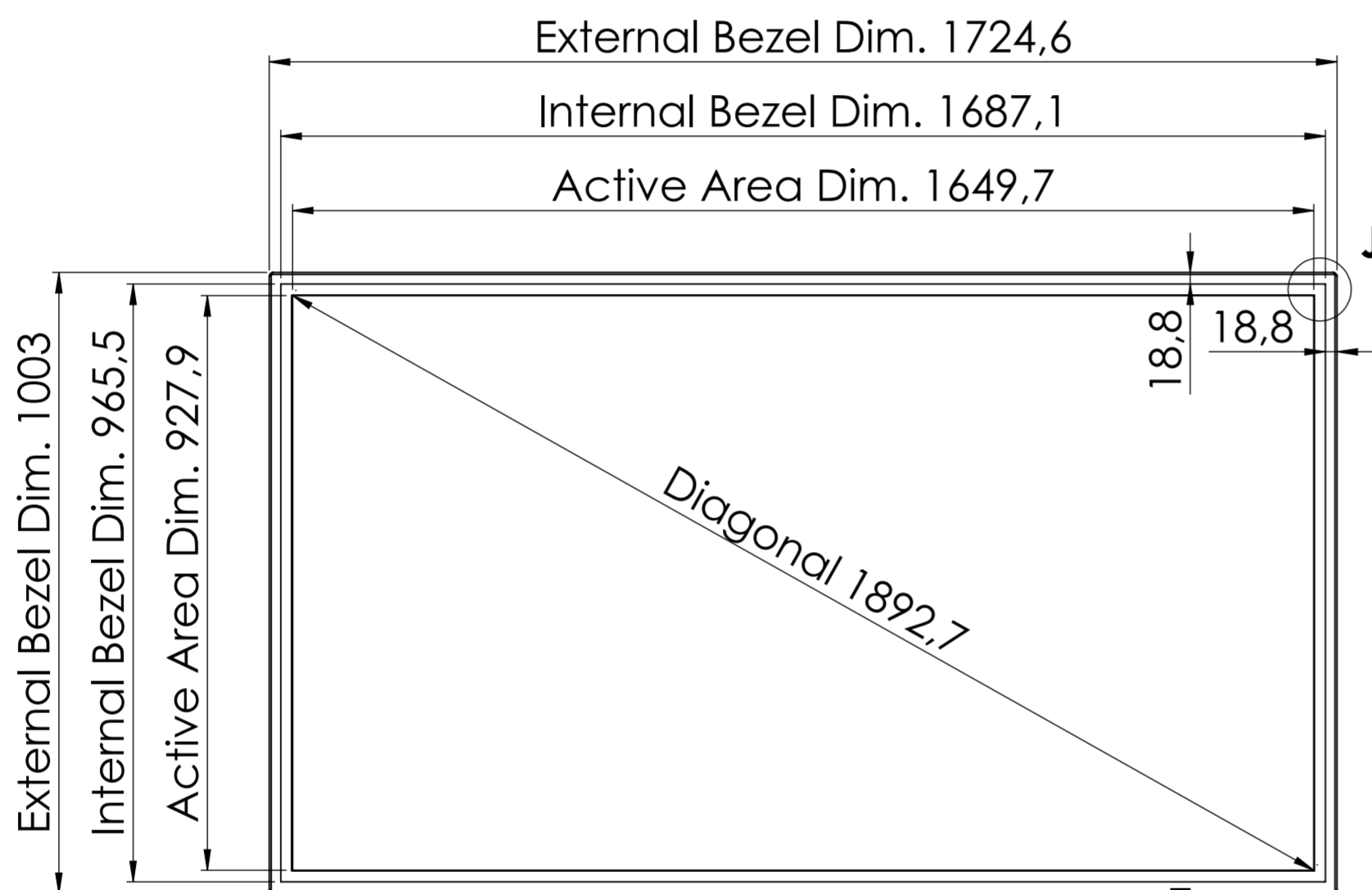
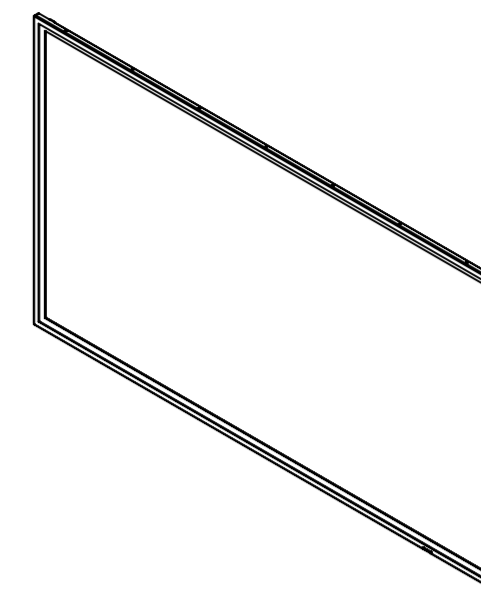
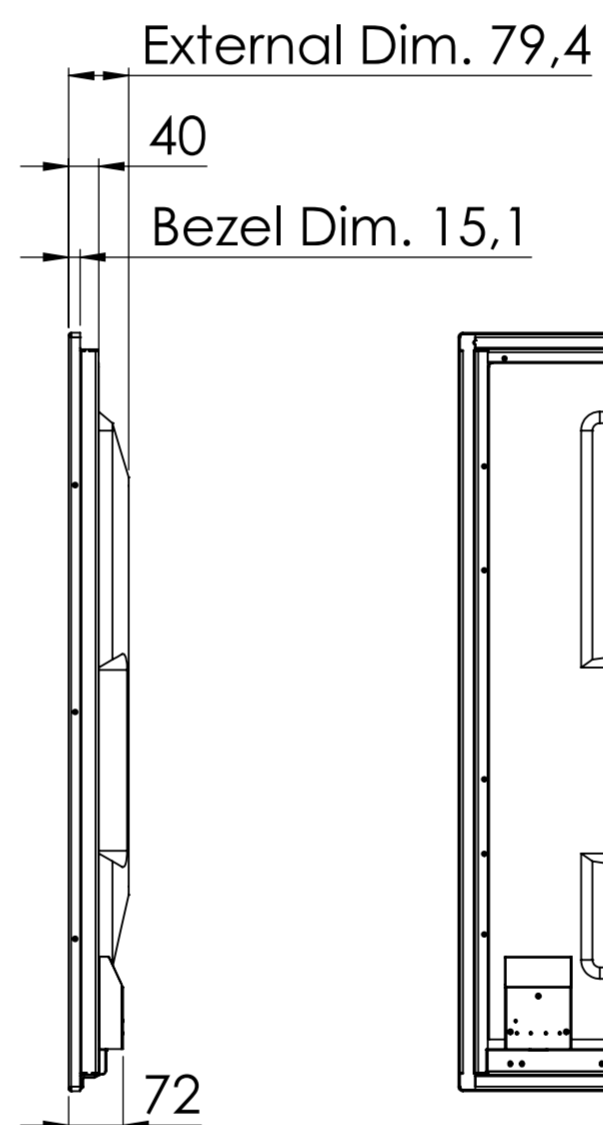




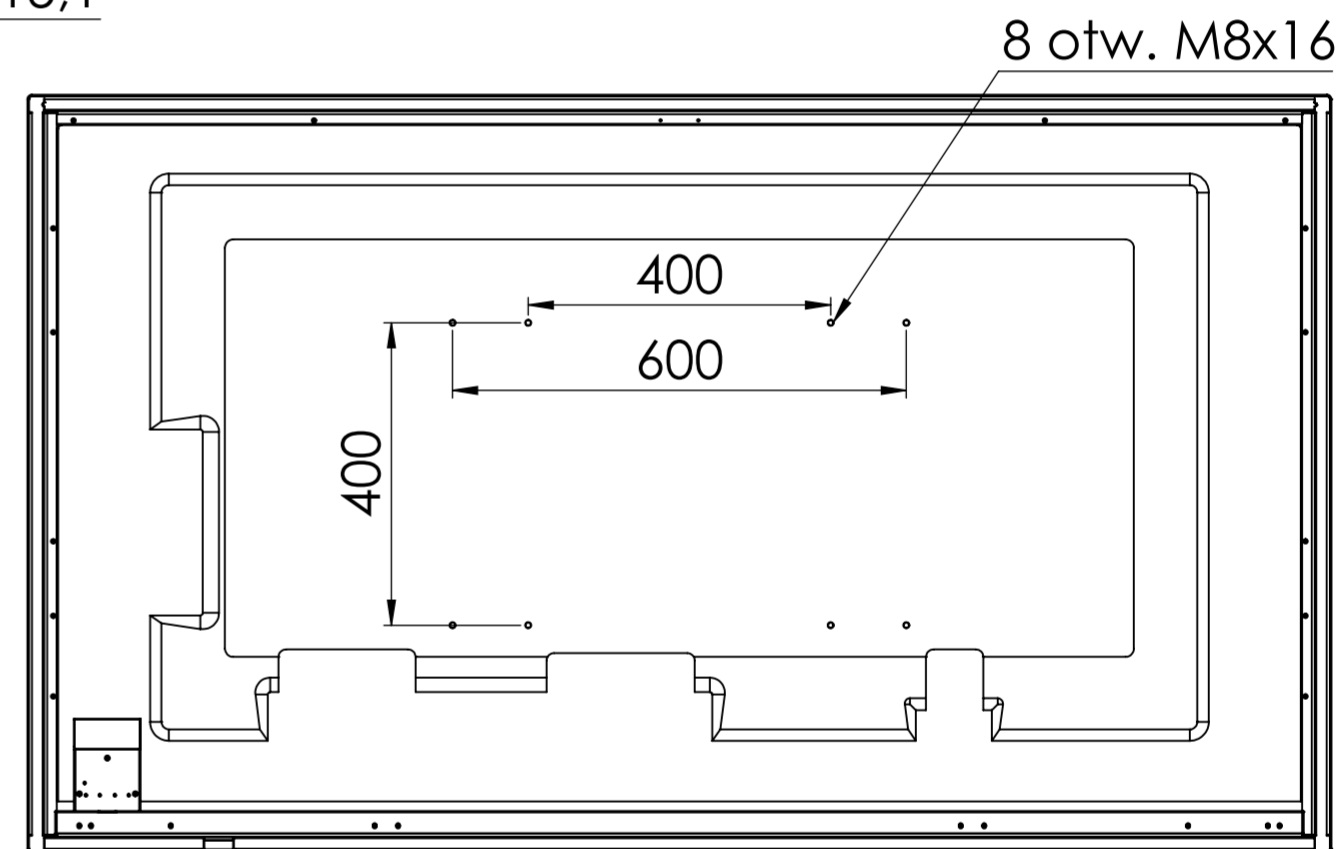
Bottom View
Scale 1:10



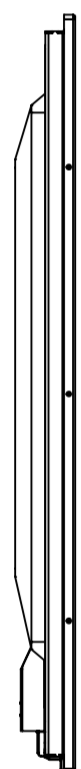
Front View
Scale 1:10



Left Side View
Scale 1:10



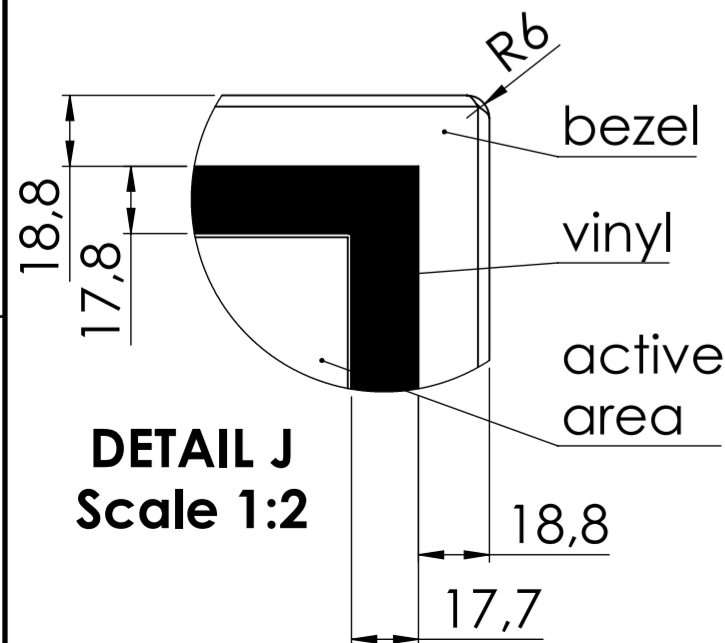
Rear Side View
Scale 1:10



Right Side View
Scale 1:10



Top View
Scale 1:10



DETAIL J
Scale 1:2

UNLESS OTHERWISE SPECIFIED: DIMENSIONS ARE IN MILLIMETERS: TOLERANCES: +/0,1mm ANGULAR: MACH+/0,30°		File Owner: U-Touch POLAND ul. Kraczymiech 40B, 32-300 Chrzanów POLAND All rights reserved. Copying contents without the owner's express consent is forbidden.		DO NOT SCALE DRAWING	CORRECTION
MATERIAL:				TITLE:	
DREW by: Krzysztof Barłoski				26.04.2018	
APPROVED:					
REVISION: No revision				26.04.2018	
MODIFICATION DATE:				26.04.2018	
COMMENTS:				PROJECT DESCRIPTION:	
				Line_Drawing_ASSY TM A 7502 (NEC P754Q+Flatfrog P-Line)	
WEIGHT:				SCALE:1:10	
				SHEET 1 Z 1	

TM A 7502